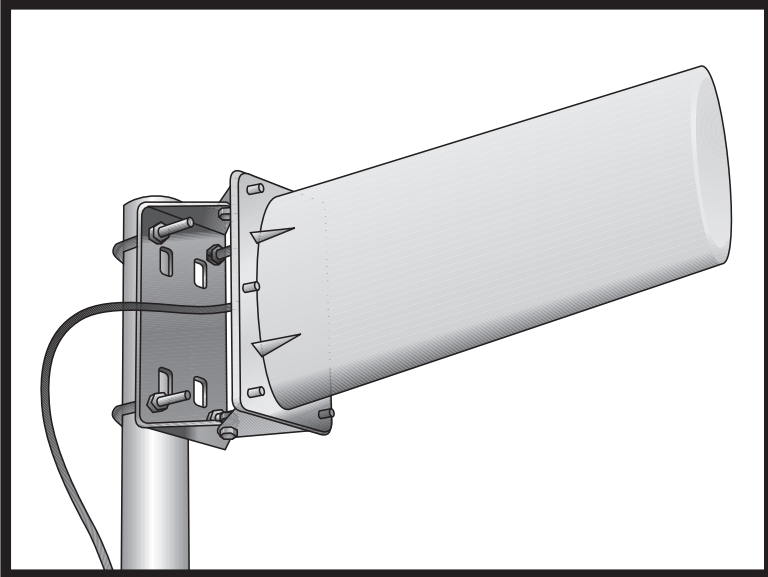


# BEAMER

## Directional Antenna

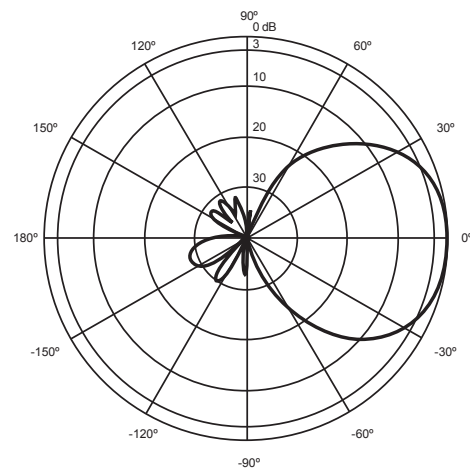
1.7 - 2.5 GHz

### CDX-LP170250/9

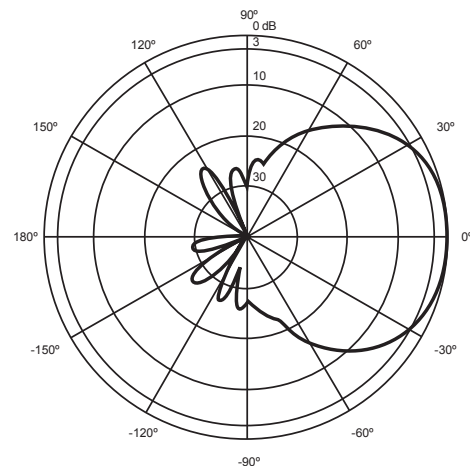


Type	<b>14El. Yagi</b>
Frequency	<b>1700-2500 MHz</b>
Gain	<b>9dBd</b>
3dB Beamwidth Vertical	<b>E-plane 45° at 1990 MHz</b>
3dB Beamwidth Horizontal	<b>H-plane 58° at 1990 MHz</b>
Downtilt	<b>0°</b>
Front to Back Ratio	<b>&gt;24dB</b>
VSWR in Bandwidth	<b>&lt;1.8:1</b>
Impedance	<b>50 ohm</b>
Polarisation	<b>Vertical</b>
Power Rating	<b>50 watt</b>
Working Temperature	<b>-30°C ~ +80°C</b>
Wind Resistance	<b>150km/h</b>
Lightning Protection	<b>DC Ground</b>
Connector	<b>SMA Female</b>
Radome Material	<b>White ABS UV Stabilized</b>
Dimension	<b>Approx. 340 x 130 x 72 mm</b>
Weight	<b>Approx. 0.5kg</b>

VERTICAL RADIATION PATTERN at 1990 MHz



HORIZONTAL RADIATION PATTERN at 1990 MHz



SWR CHART

Model: CDX-LP170250/9

